

## Bulkheads (Upstands)

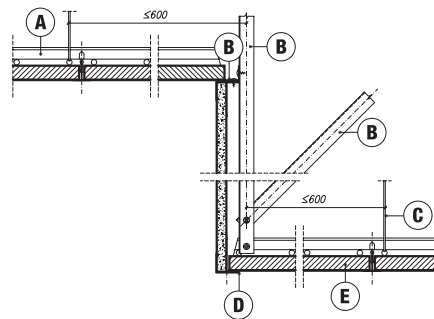
Bulkheads, otherwise known as upstands, are required when it is necessary to form a change in level between two adjacent ceilings, or to construct a blind box or lighting recess.

Depending upon the height and angle of the upstand, the transition material may be constructed from ceiling tiles, Axion profiles or building boards (by others).

The following generic details show how each of the three suggested materials may be used.

### Vertical upstand using building boards

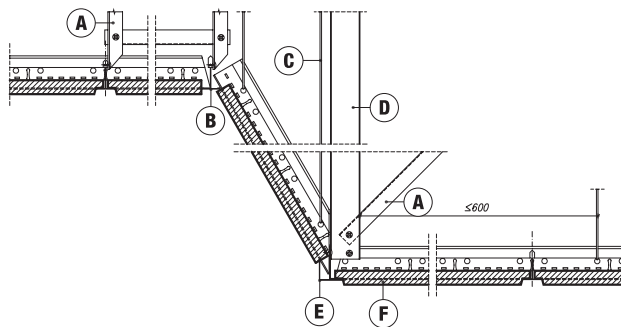
- A - Grid Profile
- B - Suspension Angle 19x19mm
- C - Suspension
- D - 'F' Upstand Trim
- E - Ceiling Tile



DETAIL 1: [ SP5-001 ]

### Sloping upstand using ceiling tiles

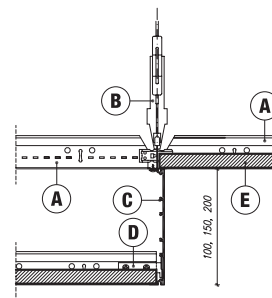
- A - Suspension Angle 19x19mm
- B - Main Runner
- C - Suspension
- D - C Channel
- E - 'F' Upstand Trim
- F - Ceiling Tile



DETAIL 2: [ SP5-002 ]

### Vertical upstand or blind box using

- A - Grid Profile
- B - Suspension
- C - Axion Profile
- D - T-Bar Connector Clip
- E - Ceiling Tile



DETAIL 3: [ SP5-003 ]

### Notes:

Special care must be taken when upstands are formed in fire resisting ceilings as the change of level represents a weakness (when grids expand under fire conditions) and may contravene tested fire reports. Particular advice should be obtained from your local internal technical sales centre. Aluminium Axion profiles cannot be used in fire resisting ceilings.