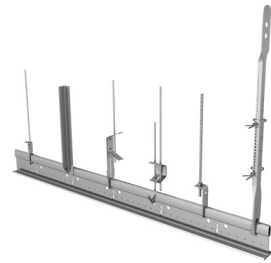
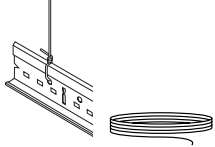
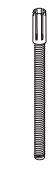

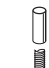





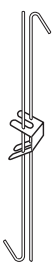

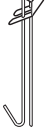

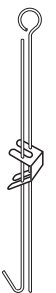
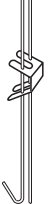


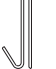


# ACCESSORIES

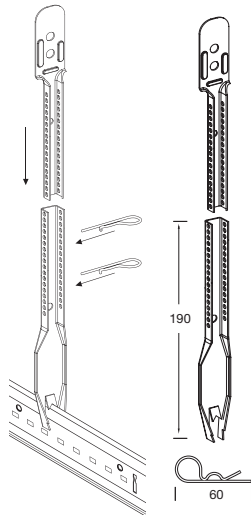
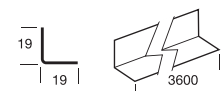

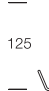
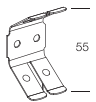
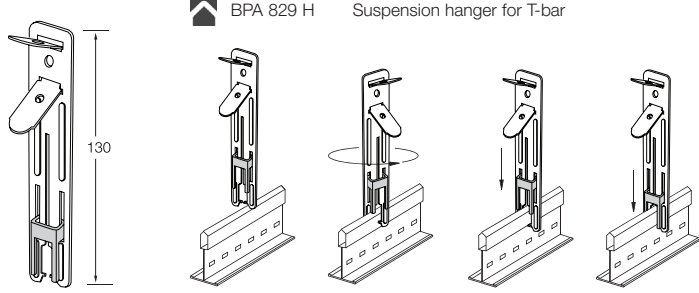


## Suspension & Accessories

Item Nr.	Description	Dimensions length (mm)	Content / Carton pcs	Weight / Carton kg	Admissible Load* kg	
 BPA W950 G	Suspension wire dia. 2 mm	ca. 200 metres	1 coil	4,70	41	
 BPA 1843 G	Expanded bolt for threaded rod dia. 6 mm	25	100	0,50	41	
 BPA 1829 G	Threaded rod dia. 6 mm	1000	50	8,50		
 BPA 1839 G	Connection for threaded rod dia. 6 mm	20	100	0,60		
 BPA 1827 G	Nut for threaded rod		100	0,20		
 BPA WDN20 H	Bent tee bar hanger for threaded rod	57	100	1,40		
 BPA 14 G	Universal clip	40	100	1,00		20 (tested with 6 mm threaded rod)
 BPA WDN21 H	Straight suspension clip for Main Runners to Axiom (Peakform & Square bulb)	-	20	0,30		32
 BPA WDN23 G	Double bent T bar hanger with 2 sizes of diameter hole	57	100	2,30	32	
 BPA 11030 G	Quick hanger - hook (2 hooks)	165-280	100	5,40	41	
 BPA 11020 G	Quick hanger - hook (2 hooks)	215-380	100	4,10		
 BPA 11040 G	Quick hanger - hook (2 hooks)	315-580	100	8,50		
 BPA 11070 G	Quick hanger - hook (2 hooks)	415-780	100	10,50		
BPA 11090 G	Quick hanger - hook (2 hooks)	515-980	100	13,00		
 BPA 12030 G	Quick hanger - eye (1 hook +1 eye)	165-280	100	5,20	41	
 BPA 12020 G	Quick hanger - eye (1 hook +1 eye)	215-380	100	4,10		
 BPA 12040 G	Quick hanger - eye (1 hook +1 eye)	315-580	100	8,30		
 BPA 12070 G	Quick hanger - eye (1 hook +1 eye)	415-780	100	10,50		
 BPA 12090 G	Quick hanger - eye (1 hook +1 eye)	515-980	100	13,00		

\* Note: These admissible loads have been determined from laboratory tests in accordance with EN 13964 : 2004 and apply to the hangers and their grid connections only. No account has been taken of the strength of top fixings which must be selected as appropriate for the supporting structure and estimated load.

## Suspension & Accessories

Item Nr.	Description	Dimensions length (mm)	Content / Carton pcs	Weight / Carton kg	Admissible Load* kg	
	BPA 10202 H	Upper part of nonius	300	100	5,10	33
	BPA 10203 H	Upper part of nonius	400	100	7,20	
	BPA 10204 H	Upper part of nonius	500	100	9,00	
	BPA 10205 H	Upper part of nonius	600	100	11,00	
	BPA 10206 H	Upper part of nonius	700	100	12,80	
	BPA 10208 H	Upper part of nonius	800	100	15,50	
	BPA 952 G	Suspension angle	3600	20	13,30	
	BPA 826 G	2 m hanger with hook	2000	100	20,00	
	BPA 827 G	1,7 m hanger with hook	1700	100	20,00	
	BPA 11 G	Small hook	120	100	2,00	
	BPA 12 H	Butterfly	55	100	1,00	
	BPA 829 H	Suspension hanger for T-bar	130	100	2,80	33

\* **Note:** These admissible loads have been determined from laboratory tests in accordance with EN 13964 : 2004 and apply to the hangers and their grid connections only. No account has been taken of the strength of top fixings which must be selected as appropriate for the supporting structure and estimated load.

Availability of products may vary according to location.  
 All measurements in millimetres. All sizes are nominal.  
 Please contact our **Armstrong Technical Sales** for further details.